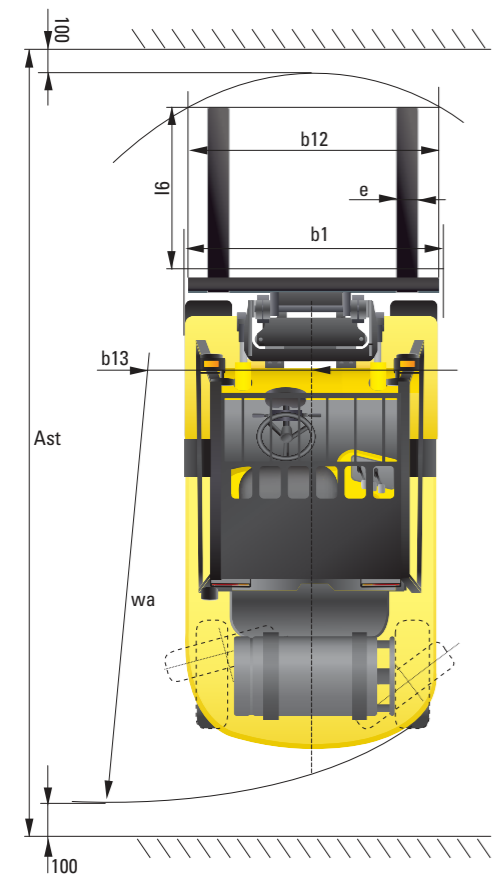
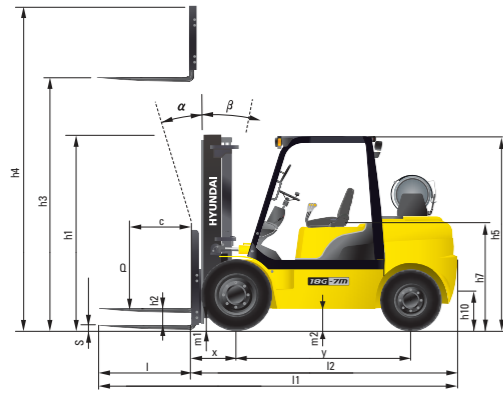


Dimension



Specification

| Identification | | | | |
|------------------|--|------------------|-----------------|-----------------|
| 1.1 | Manufacturer | Hyundai | Hyundai | Hyundai |
| 1.2 | Manufacturer's type designation | 15L-7M | 18L-7M | 20L-7M |
| 1.3 | Drive: electric (battery or mains), diesel, petrol, fuel gas, manual | LP / Gas | LP / Gas | LP / Gas |
| 1.4 | Type of operation: hand, pedestrian, standing, seated, order-picker | seated | seated | seated |
| 1.5 | Load capacity / rated load | Q (kg) 1,500 | 1,750 | 2,000 |
| 1.6 | Load center distance | c (mm) 500 | 500 | 500 |
| 1.8 | Load distance, center of drive axle to fork | x (mm) 393 | 393 | 398 |
| 1.9 | Wheelbase | y (mm) 1,410 | 1,410 | 1,410 |
| Wheels, Chassis | | | | |
| 3.1 | Tires: solid rubber, superplastic, pneumatic, polyurethane | Pneumatic | Pneumatic | Pneumatic |
| 3.2 | Tires size, front(width x Φ) | 6.5 x 10 x 12PR | 6.5 x 10 x 12PR | 6.5 x 10 x 12PR |
| 3.3 | Tires size, rear(width x Φ) | 5.0 x 8 x 10PR | 5.0 x 8 x 10PR | 5.0 x 8 x 10PR |
| 3.5 | Wheels, number front x rear (x=driven wheels) | 2 x 2 | 2 x 2 | 2 x 2 |
| 3.6 | Track width, front | b10 (mm) 890 | 890 | 890 |
| 3.7 | Track width, rear | b11 (mm) 910 | 910 | 910 |
| Basic Dimensions | | | | |
| 4.1 | Mast / fork carriage tilt forward / backward(α / β) | degrees | 6 / 10 | 6 / 10 |
| 4.2 | Lowered mast height | h1 (mm) | 2,155 | 2,155 |
| 4.3 | Free lift | h2 (mm) | 145 | 150 |
| 4.4 | Lift height | h3 (mm) | 3,325 | 3,330 |
| 4.5 | Extended mast height | h4 (mm) | 4,332 | 4,332 |
| 4.7 | Overhead load guard (cab) height | h5 (mm) | 2,110 | 2,110 |
| 4.8 | Seat height / standing height | h7 (mm) | 1,050 | 1,050 |
| 4.12 | Coupling height | h10 (mm) | 262 | 258 |
| 4.19 | Overall length | l1 (mm) | 2,233 + l | 2,263 + l |
| 4.20 | Length to face of forks | l2 (mm) | 2,233 | 2,308 |
| 4.21 | Overall width | b1 (mm) | 1,070 | 1,070 |
| 4.22 | Fork dimensions | l / e / s (mm) | 900 x 100 x 35 | 900 x 100 x 35 |
| 4.23 | Fork carriage ISO 2328, class / type A,B | l1 / A | l1 / A | l1 / A |
| 4.24 | Fork-carriage width | b12 (mm) | 1,004 | 1,004 |
| 4.31 | Ground clearance, loaded, under mast | m1 (mm) | 120 | 120 |
| 4.32 | Ground clearance, centre of wheelbase | m2 (mm) | 145 | 145 |
| 4.33 | Aisle width for pallets 1000x1200 crossways | Ast (mm) | 3,594 | 3,620 |
| 4.34 | Aisle width for pallets 800x1200 lengthways | Ast (mm) | 3,794 | 3,820 |
| 4.35 | Turning radius | Wa (mm) | 2,000 | 2,026 |
| 4.36 | Smallest pivot point distance | b13 (mm) | 589 | 589 |
| Performance Data | | | | |
| 5.1 | Travel speed, Unloaded | km/h | 20.1 | 20.1 |
| 5.2 | Lift speed, Loaded/Unloaded | mm/s | 650 / 680 | 650 / 680 |
| 5.3 | Lowering speed, Loaded/Unloaded | mm/s | 500 / 450 | 500 / 450 |
| 5.5 | Drawbar pull, Loaded | kg | 1,736 | 1,746 |
| 5.7 | Gradient performance, Loaded | % | 39.7 | 35.4 |
| 5.10 | Service brake | | Hydraulic | Hydraulic |
| Engine | | | | |
| 6.1 | Engine manufacturer / type | | L4KB | L4KB |
| 6.2 | Engine power acc. to ISO 1585 | HP | 50 | 50 |
| 6.3 | Rated speed | 1/min | 2,450 | 2,450 |
| 6.4 | No. of cylinder / cubic capacity | /cm ³ | 4 / 2,359 | 4 / 2,359 |
| Other Details | | | | |
| 8.2 | Type of drive control | | Power Shift | Power Shift |
| 8.3 | Operating pressure | bar | 225 / 168 | 225 / 168 |
| 8.4 | Oil volume | l/min | 30 | 30 |
| 8.5 | Noise | db(A) | 80 | 80 |



Some of the photos may include optional equipment.

HYUNDAI LPG FORKLIFT TRUCKS Applied Tier 4 Engine

15/18/20L(G)-7M

We build a better future

NEW criteria of Forklift Trucks

Hyundai introduces a new line of 7M series
LPG forklift trucks.
Excellent power and performance make your
business more profitable.



OPSS (Operator Presence Sensing System)

Control of mast tilting, lifting and lowering is not possible through operation of the appropriate control when the not in the seated position.

The new master on the job-site!

Smooth running, efficient and ergonomically designed, 15L/18L/20L-7M series are made to meet your needs.

50PS/2,450rpm

Powerful Engine L4KB Engine

Market approved quality of L4KB engine ensures incomparable performance, durability and additional value to the machine. Powerful and efficient engine provides excellent fuel economy and excellent torque for improved operation.(EPA/CARB Tier-IV Certified)

Fast and Stable Performance

Being able to quickly raise and lower the mast, as well as tilt it forward and backward, provides the best operational conditions during unloading.

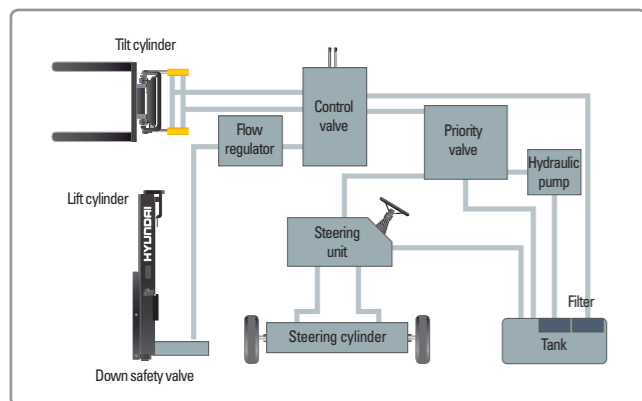
When the truck is fully loaded, mast lowering speed is carefully controlled to ensure safety by the down control valve.

Mast, Lift and Tilt Lock System is standard.



**High Power
Low Noise**

Some of the photos may include optional equipment.



State-of-the-art Hydraulic System

The latest large-capacity hydraulic system reacts quickly during operation, and a low-noise control valve increases both efficiency and durability.



Fully Hydrostatic Power Steering

A hydraulic steering system always guarantees smooth and flexible steering, preventing overrun and kick-back.



Increased Mast Tilting Angle

Utilizing the mast tilting angle of 6 degrees forward and 10 degrees backward, the operator can safely and rapidly perform loading and unloading jobs.

Faster Travel Speed & Better Gradability

The powerful high-output engine provides greater acceleration, better gradability and faster travel speed on any tough terrains or slopes.



Gradability(Loaded)

- 15L-7M : 39.7°
- 18L-7M : 35.4°
- 20L-7M : 33.0°

Travel Speed(Unloaded)

- 15L-7M : 20.1 km/h
- 18L-7M : 20.1 km/h
- 20L-7M : 20.1 km/h

Ergonomic operator friendly compartment design!

A design based on human engineering relieves fatigue and increases operator's efficiency.

Operator Friendly Gauges and Water-resistant Monitor Panel



- 1 Parking brake lamp
- 2 Directional indicators
- 3 Fuel warning lamp
- 4 Engine oil warning lamp
- 5 Transmission oil temperature warning lamp
- 6 Battery charging warning lamp
- 7 Air cleaner filter warning light
- 8 Working light indicator
- 9 Water separator lamp
- 10 Pre-heater indicator
- 11 Water temperature gauge
- 12 Fuel gauge
- 13 Hour meter
- 14 Engine check lamp
- 15 Seat belt warning
- 16 OPS warning



- Grammer Seat (Option)**
- Quick Achievement of the Ergonomically Best Sitting Position
 - Asymmetrical Backrest
 - Movable Armrests - Seat Heating
 - Practical Document Box



New High Visibility for Safe Operation
The operator is able to work with increased safety and accuracy due to a wider view mast.



Travel Speed Control System (Option)

- In-Door : Max. Travel Speed 15~17 km/h
- Out Door : Max Travel Speed : Max. Vehicle Speed

Some of the photos may include optional equipment.



Ergonomically Positioned Pedals
Based on human engineering, the accelerator, brake and inching pedals are optimally positioned for convenience while operating the equipment.



Cup Holder & Console Box
Additional storage spaces are located inside the operating space for operator's convenience.



Quick Response of Operating Control Levers
Only minimal operator's effort is required for precise, safe and productive control.



Adjustable Steering Wheel
Steering wheel with horn button can be adjusted by a lever on the right-hand side for the most comfortable operator position.



Easy and Safe Shift Lever
A single lever on the left side of the steering column gives the operator fast, easy control of direction. The lever must be in the neutral position before the engine can be started.



Secondary Horn
Secondary Horn gives access to lights and horn

Danger-free through high durability!

Safety and durability are priorities in design of the equipment.



Strong Overhead Guard

The safety overhead guard meets ISO 6055 regulation and protects the operator during hazardous jobs.

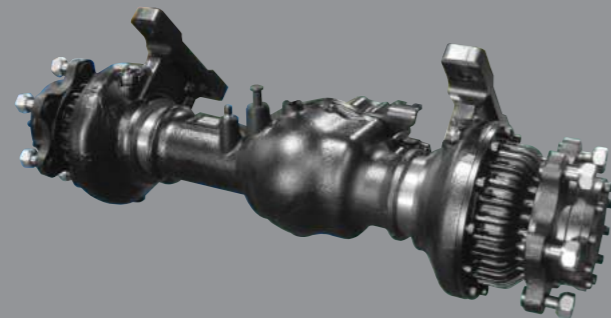


Parking Brake

Ratchet type parking brake requires less effort from the operator to set.

Highly Durable Split type Drive Axle

The bevel gear set and hub reduction drive axle smoothly delivers desired torque to the drive wheels.



Some of the photos may include optional equipment.



Large Footboard & Hand Grip

Wide "open" step offers convenience and safety when entering and exiting truck.



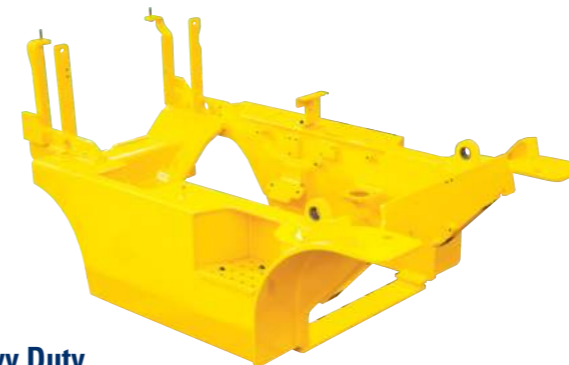
Expansion Bellows

The expansion bellows absorbs vibration and reduces noise generated from the exhaust system and also extends the life cycle of exhaust system.



Electrically Monitored Air Filter

Air cleaner sensor alerts the operator of a restricted air filter and allows replacement before damage.



Heavy Duty Single Unit Frame

Heavy duty single unit type frame, designed on the basis of accurate structural analysis, guarantees durability and safety.



Bright, Protected Headlights

Bright, Protected head lights are positioned for exceptional visibility.



Rear Safety Lamp

Rear combination lamps with directional indicators, rear lights and brake lights are positioned for a high level of safety.

Designed for quick and easy service!

An ideal arrangement of component parts ensures easy access and convenience for maintenance.



Easy Change Air Cleaner

The air filter is readily accessible for cleaning or replacement. (6inch Cyclone Type)



Fast Service Access for Daily Fluids Check



Rotational Battery Installation



One Touch, No Tool Floor Plate



Aluminum Radiator with Superb Protection Against heat



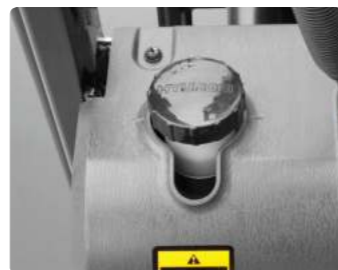
Improvement in Maintenance of Electric Parts

Various electric parts are centralized in dash board resulting in effortless troubleshooting.



Easy Maintenance Oil Check

The T/M oil level can be checked easily without any disassembly.



Brake Fluid Reservoir

Highly visible, easily accessible reservoir makes for quicker daily inspections.



An Accessible, Compact Fuse Box for Easy Inspection

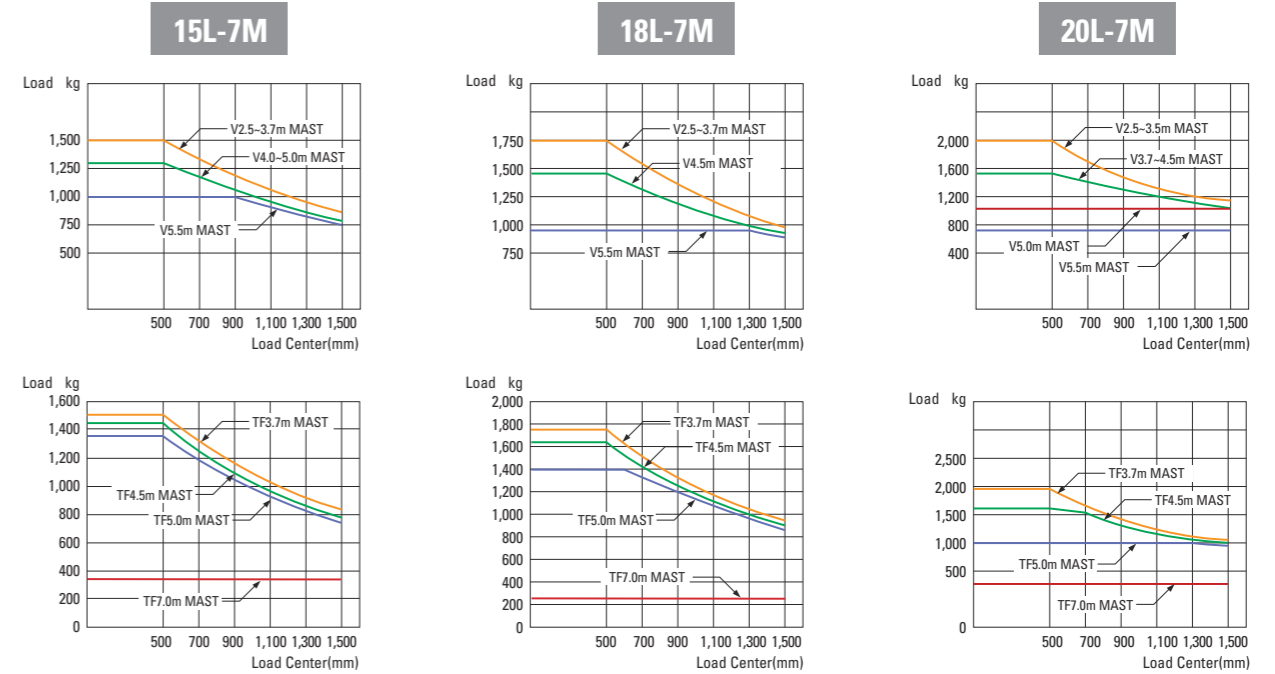
Mast Specification

| Mast Type | Maximum Fork Height (mm) | Overall Height Lowered (mm) | Tilt Angle (deg) | | Free Lift (in) | | | | Load Capacity w/o Integral Side Shift 500mm (kg) | | | Load Capacity w/Integral Side Shift 500mm (kg) | | | Truck Weight Unload | | | |
|---------------------------|--------------------------|-----------------------------|------------------|-----|----------------|--------|-----------------|--------|--|--------|--------|--|--------|--------|---------------------|--------|--------|-------|
| | | | Fwd | Bwd | With Backrest | | With/o Backrest | | Single Tire | | | Single Tire | | | Single Tire | | | |
| | | | | | 15L/18L-7M | 20L-7M | 15L/18L-7M | 20L-7M | 15L-7M | 18L-7M | 20L-7M | 15L-7M | 18L-7M | 20L-7M | 15L-7M | 18L-7M | 20L-7M | |
| 2-Stage Limited Free Lift | V250 | 2,525 | 1,755 | 6 | 10 | 145 | 150 | 145 | 150 | 1,500 | 1,750 | 2,000 | 1,400 | 1,650 | 1,890 | 2,764 | 2,938 | 3,085 |
| | V270 | 2,725 | 1,855 | 6 | 10 | 145 | 150 | 145 | 150 | 1,500 | 1,750 | 2,000 | 1,400 | 1,650 | 1,890 | 2,778 | 2,952 | 3,099 |
| | V300 | 3,025 | 2,005 | 6 | 10 | 145 | 150 | 145 | 150 | 1,500 | 1,750 | 2,000 | 1,400 | 1,650 | 1,890 | 2,798 | 2,972 | 3,119 |
| | *V330 | 3,325 | 2,155 | 6 | 10 | 145 | 150 | 145 | 150 | 1,500 | 1,750 | 2,000 | 1,400 | 1,650 | 1,890 | 2,818 | 2,992 | 3,139 |
| | V350 | 3,525 | 2,255 | 6 | 10 | 145 | 150 | 145 | 150 | 1,500 | 1,750 | 2,000 | 1,400 | 1,650 | 1,890 | 2,832 | 3,006 | 3,152 |
| | V370 | 3,725 | 2,355 | 6 | 10 | 145 | 150 | 145 | 150 | 1,500 | 1,750 | 1,950 | 1,400 | 1,650 | 1,845 | 2,845 | 3,019 | 3,166 |
| | V400 | 4,025 | 2,505 | 6 | 10 | 145 | 150 | 145 | 150 | 1,450 | 1,735 | 1,950 | 1,365 | 1,635 | 1,465 | 2,870 | 3,044 | 3,190 |
| | V450 | 4,525 | 2,855 | 6 | 6 | 145 | 150 | 145 | 150 | 1,375 | 1,650 | 1,500 | 1,290 | 1,550 | 1,420 | 2,936 | 3,110 | 3,257 |
| 3-Stage Full Free Lift | V500 | 5,025 | 3,105 | 6 | 6 | 145 | 150 | 145 | 150 | 1,300 | 1,450 | 1,000 | 1,225 | 1,365 | 940 | 2,970 | 3,144 | 3,290 |
| | V550 | 5,525 | 3,355 | 6 | 5 | 145 | 150 | 145 | 150 | 1,000 | 950 | 750 | 930 | 880 | 690 | 2,990 | 3,164 | 3,311 |
| | TF/TS370 | 3,735 | 1,805 | 6 | 6 | 798 | 803 | 1,299 | 1,300 | 1,500 | 1,750 | 1,925 | 1,400 | 1,650 | 1,820 | 2,913 | 3,087 | 3,243 |
| | TF/TS400 | 4,035 | 1,905 | 6 | 6 | 898 | 903 | 1,399 | 1,400 | 1,500 | 1,700 | 1,875 | 1,400 | 1,600 | 1,775 | 2,933 | 3,107 | 3,263 |
| | TF/TS430 | 4,335 | 2,005 | 6 | 6 | 998 | 1,003 | 1,499 | 1,500 | 1,450 | 1,700 | 1,825 | 1,365 | 1,600 | 1,725 | 2,952 | 3,126 | 3,282 |
| | TF/TS450 | 4,535 | 2,105 | 6 | 6 | 1,098 | 1,103 | 1,599 | 1,600 | 1,425 | 1,635 | 1,650 | 1,340 | 1,540 | 1,550 | 2,971 | 3,145 | 3,301 |
| | TF/TS470 | 4,735 | 2,155 | 6 | 6 | 1,148 | 1,153 | 1,649 | 1,650 | 1,400 | 1,450 | 1,350 | 1,320 | 1,365 | 1,275 | 2,938 | 3,157 | 3,313 |
| | TF/TS500 | 5,035 | 2,255 | 6 | 6 | 1,248 | 1,253 | 1,749 | 1,750 | 1,375 | 1,400 | 1,000 | 1,295 | 1,320 | 935 | 3,002 | 3,176 | 3,332 |
| | TF/TS550 | 5,535 | 2,455 | 6 | 5 | 1,448 | 1,453 | 1,949 | 1,950 | 1,050 | 1,100 | 750 | 985 | 1,030 | 690 | 3,040 | 3,214 | 3,370 |
| | TF/TS600 | 6,035 | 2,655 | 6 | 5 | 1,648 | 1,653 | 2,149 | 2,150 | 750 | 750 | 500 | 700 | 700 | 450 | 3,112 | 3,286 | 3,442 |
| TF/TS650 | 6,535 | 2,855 | 3 | 3 | 1,848 | 1,853 | 2,349 | 2,350 | 500 | 500 | 450 | 450 | 450 | 400 | 3,157 | 3,331 | 3,487 | |
| TF/TS700 | 7,035 | 3,055 | 3 | 3 | 2,048 | 2,053 | 2,549 | 2,550 | 350 | 250 | 300 | 300 | 200 | 250 | 3,193 | 3,367 | 3,523 | |

* TS-Mast : Wide Visible 3 Stage Full Free Lift Mast with 2 Free Lift Cylinders.

* Standard

Load Capacity



Optional Items

- SIDE SHIFT
- INTEGRAL SIDE SHIFT
- FORK : 750/850/1,050/1,200/1,350/1,500mm(15/18L-7M) 950/1,000/1,050/1,150/1,200/1,350/1,500mm 1,600mm(20L-7M)
- OVER SHOE : 1,300 / 1,500 / 1,700mm
- TILTING : 6/5°, 3/3°, 6/6°
- TIRE : Cushion, No-marking
- SEAT : Pocket, Arm Rest, Hip Rest
- LPG CLAMP : Swing Out, Swing Down
- M.C.V : 4-Spool
- ATTACH PIPING : 3 Spool-piping, 4 Spool-piping

- MASTER SWITCH
- BEACON LAMP
- HAZARD SWITCH
- WORK LAMP
- SPEED CONTROL SENSOR